

150M/300M Single PC, Dual Access KVM Extender Kit (USB, PS2 & RS-232)



The high-end K305632-15/30 KVM Extender Kit enables both KVM and RS-232 Serial control over a single, easy-to-install, CAT5 UTP/ FTP cable. It is perfect for any type of installation where the console needs to be in a conveniently accessible location, but the computer system to reside in a long distance place - away from dust, and harsh environmental influences.

Features:

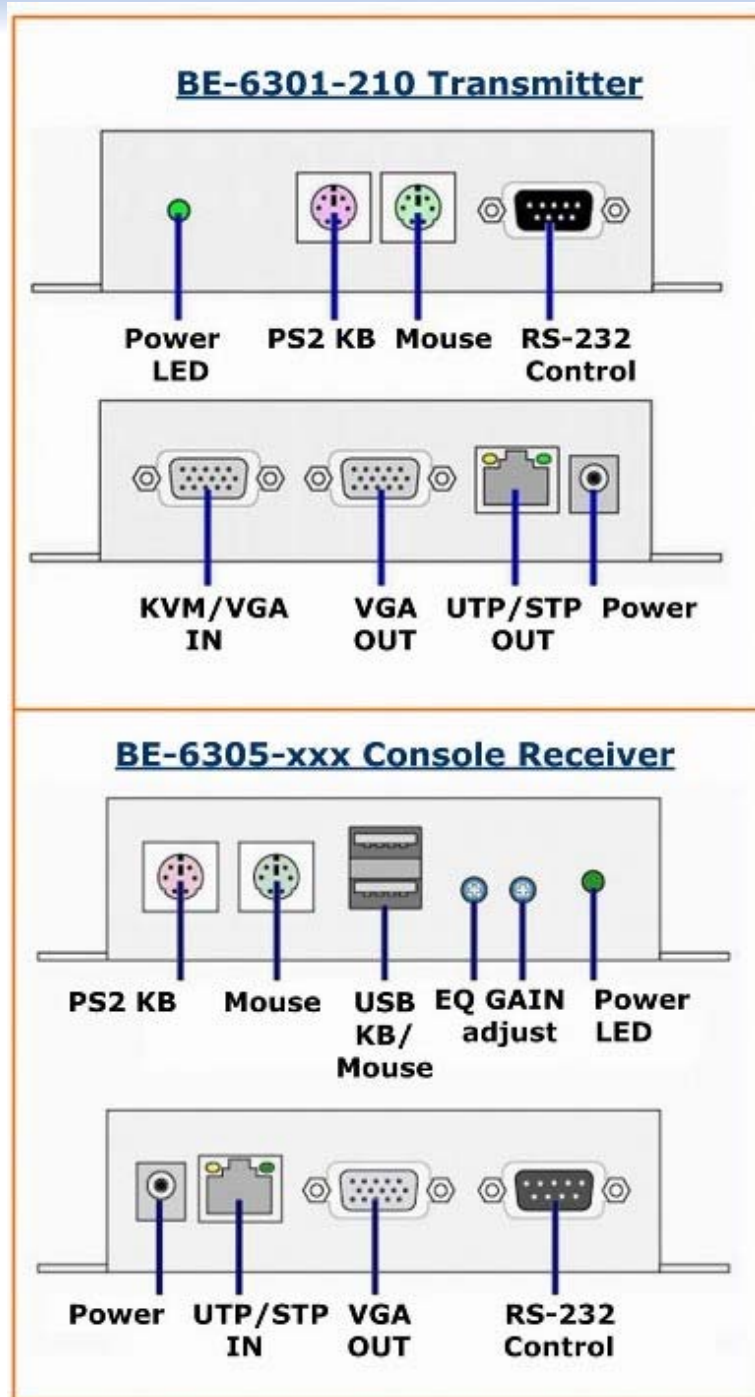
The K305632-15 or K305632-30 CAT 5 KVM Extender Kit, which effectively extends PC KVM (USB Keyboard, Video, USB Mouse) control to the Console Receiver. This kit also provides for convenient dual access; in addition to the remote console access, you can also connect a monitor/ keyboard/ mouse set to provide local PC access. RS-232 Serial function allows you to remotely control Serial devices from distances of up to 300m/1000ft.

- ◆ Cat 5 or higher cable to connect the Transmitter and Receiver Units - up to 300m (1000 ft) apart.
- ◆ Dual console operation - control your PC from both the local and Console Receiver PS2 Keyboard, mouse and monitor.
- ◆ Supports full Serial, bidirectional RS-232 communication.
- ◆ High resolution video -up to 1600 x 1200 @ 60 Hz.
- ◆ Supports VGA, SVGA, and Multisync monitors - Console Receiver monitor supports DDC2B.
- ◆ Console Receiver has video Gain and EQ adjustments for optimum image.
- ◆ K305632-30 adds RGB skew adjustment, for 300M (1000 ft) extra long cable runs.
- ◆ Pure hardware. Plug n Play design.

Specifications:

Model		K305632-15		K305632-30		
Unit Model		BE-6301-210 Transmitter	BE-6305-150 Receiver	BE-6301-210 Transmitter	BE-6305-300 Receiver	
Connectors	Console Ports	Keyboard	1 x 6-pin Mini-DIN Female (Purple PS2)	1 x 6-pin Mini-DIN Female (Purple PS2) 1 x USB Type A Female	1 x 6-pin Mini-DIN Female (Purple PS2) 1 x USB Type A Female	
		Video	1 x HDD-15 Female(Blue)		1 x HDD-15 Female(Blue)	
		Mouse	1 x 6-pin Mini-DIN Female (Green PS2)	1 x 6-pin Mini-DIN Female (Green PS2) 1 x USB Type A Female	1 x 6-pin Mini-DIN Female (Green PS2)	1 x 6-pin Mini-DIN Female (Green PS2) 1 x USB Type A Female
	KVM Ports	1 x HDD-15 Female	N/A	1 x HDD-15 Female	N/A	
	Power	1 x DC Jack		1 x DC Jack		
	Unit to Unit	1 x RJ45 Female		1 x RJ45 Female		
	Video Gain	N/A	1 x Mini Pot	N/A	1 x Mini Pot	
	Video EQ	N/A	1 x Mini Pot	N/A	1 x Mini Pot	
	LEDs	Power	1 (Green)		1 (Green)	
	Emulation	Keyboard / Mouse	PS/2 & USB		PS/2 & USB	
Video		1600 x 1200@ 60Hz , DDC2B		1600 x 1200 @ 60Hz , DDC2B		
Distance		150M (500 ft)		300M (1000 ft)		
Video RGB Skew Adjust		N/A		YES		
Power Consumption		External 100~240V AC input; DC 5.0V 1.2A Output		External 100~240V AC input; DC 5.0V 1.2A Output		
Environment	Operating Temp.	0~50°C		0~50°C		
	Storage Temp.	-20~60°C		-20~60°C		
	Humidity	0~80% RH,Non-condensing		0~80% RH,Non-condensing		
Physical Properties	Housing	Metal		Metal		
	Weight	0.38 kg	0.38 kg	0.38 kg	0.38 kg	
	Dimensions	14 x 9.3 x 3.2 cm		14 x 9.3 x 3.2 cm		

Front & Back View:



Ordering Information:

K305632-15	Single PC, Dual access KVM Extender Kit, includes 1 x BE-6301-210 (USB & RS-232 Transmitter) and 1 x BE-6305-150 (USB, PS2 & RS-232 Receiver, 150m)
K305632-30	Single PC, Dual access KVM Extender Kit, includes 1 x BE-6301-210 (USB & RS-232 Transmitter) and 1 x BE-6305-300 (USB, PS2 & RS-232 Receiver, 300m)

Diagram:

