

Model No.: AVK-70X-111 & AVK-70X-311

150M / 300M CAT5 VGA with Stereo Audio Extender Kit



The Extender Kit consists of a transmitter and a receiver. It is a VGA and Audio Extension unit that allows video and stereo audio to be sent up to 300M (1,000 ft) via economical, easy-to-install unshielded twisted pair (UTP) CAT5 cable. It's simple, straight forward plug-and-play. Crisp video imaging and high fidelity sound. Applications: shopping malls, public address systems, educational facilities, transportation stations, boardrooms, stores, restaurants, showrooms, windows displays, trade shows, exhibitons, computer based training.

Features:

- ◆ Pure hardware, Plug n Play design.
- ◆ Razor sharp video, plus high fidelity stereo audio.
- ◆ Resolution up to 1920 * 1200 @60Hz.
- ◆ Receivers have Gain and EQ adjustments for optimum image quality. Run a single UTP cable to 300M (1000 feet) from Transmitter (for AVK-70X-311 kit).
- ◆ AVK-70X-311 kit adds RGB skew adjustment function.
- ◆ Supports the latest TFT, LCD, SVGA, VGA multisync monitors and DDC2B high resolution.

Specifications:

Model		AVK-70X-111		AVK-70X-311	
Unit Model		AV-702X-111 Transmitter	AV-701X- 111Receiver	AV-702X-111 Transmitter	AV-701X- 311Receiver
System Cable		CAT5, FTP Solid Wire 2x4x24 AWG, standard 568B RJ-45 connector			
Connectors	System OUT	1 x RJ-45 F	N/A	1 x RJ-45 F	N/A
	System IN	N/A	1 x RJ-45 F	N/A	1 x RJ-45 F
	VGA IN	1 x HDD15 F	N/A	1 x HDD15 F	N/A
	VGA Out	1 x HDD15 F	1 x HDD15 F	1 x HDD15 F	1 x HDD15 F
	Audio IN	1x 3.5mm Stereo Jack	N/A	1x 3.5mm Stereo Jack	N/A
	Audio Out	1x 3.5mm Stereo Jack	1x 3.5mm Stereo Jack	1x 3.5mm Stereo Jack	1x 3.5mm Stereo Jack
	Video Gain	N/A	1 x Mini Pot	N/A	1 x Mini Pot
	Video EQ	N/A	1 x Mini Pot	N/A	1 x Mini Pot
	Video RGB Skew	N/A	N/A	N/A	2 x mini Push button (Black)
	Power	1 x Power Jack	1 x Power Jack	1 x Power Jack	1 x Power Jack
LEDs	Power	1 (Green)	1 (Green)	1 (Green)	1 (Green)
	RGB Skew Adjust.	N/A	N/A	N/A	3 x R/G/B
Audio Supports		Stereo Audio			
Video Supports		1920 x 1200@ 60Hz , DDC2B			
Distance		Depends on receiver, and CAT5 cable quality. 0~300M (500 ft~1000 ft.)			
Power Consumption		External 100~240VAC to output DC +5.0V; 1.2A			
Environment	Operating Temp.	0~70°C			
	Storage Temp.	-20~70°C			
	Humidity	0~80% RH			
Physical Properties	Housing	Metal			
	Dimensions	14 x 9.3 x 3.2 cm (5.5 x 3.6 x 1.26 in.)			
	Weight	380g (0.84 lbs)			

Ordering Information:

AVK-70X-111	150m(500ft) VGA with stereo audio Extender Kit
AVK-70X-311	300m(1000ft) VGA with stereo audio Extender Kit

Front and Rear View:

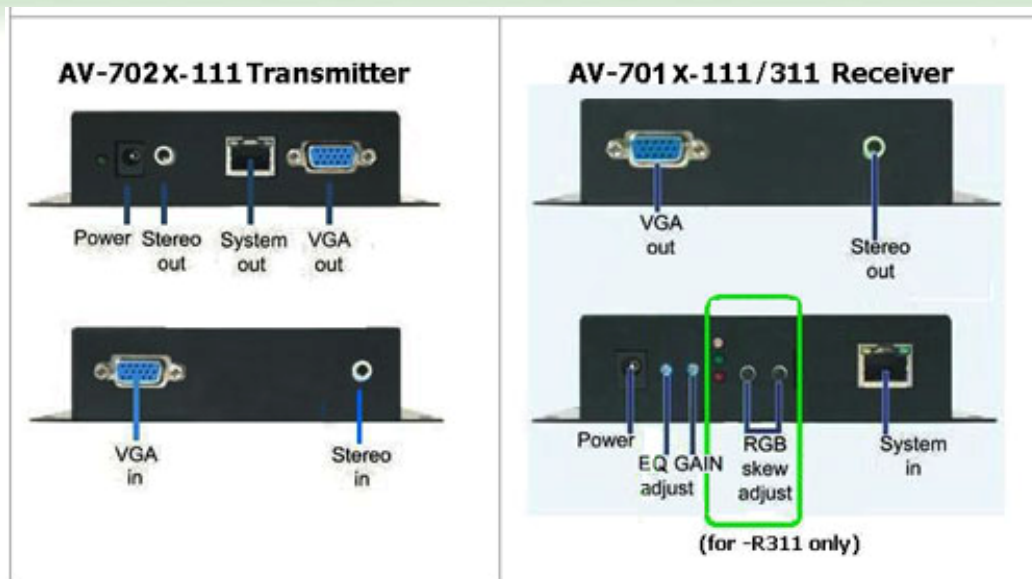


Diagram:

